

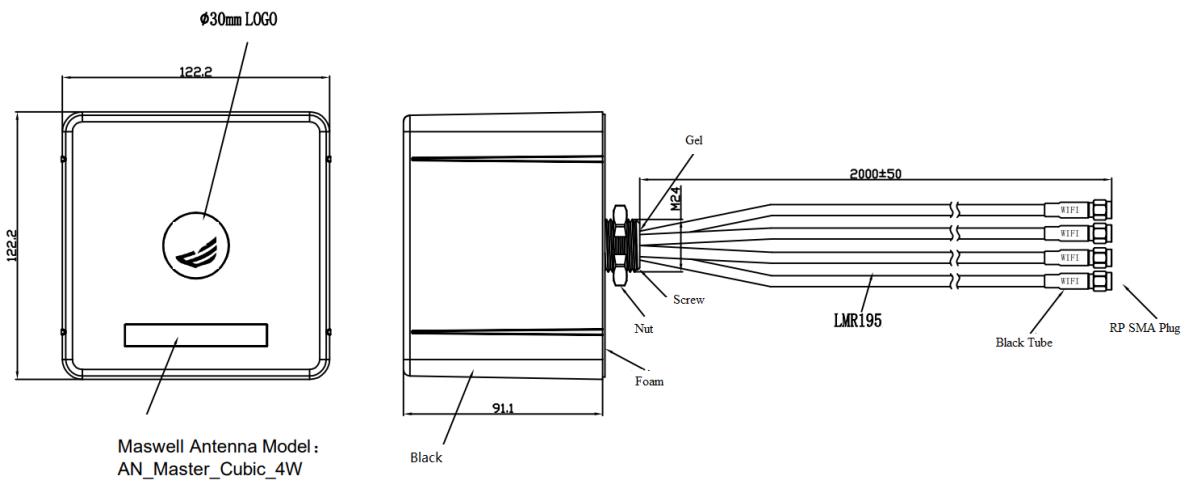


Maswell 5G Combination Antenna 4X4 MIMO WiFi 7

AN_Master_Cubic_4W



Schematic picture



Maswell 5G Combination Antenna 4X4 MIMO WiFi 7

AN_Master_Cubic_4W

Specifications

Item	Specifications	
Antenna 1: WiFi	Frequency Range	2100Mhz-7200MHz
	Polarization	Linear
	Gain	4dBi
	V.S.W.R	< 1.5
	Impedance	50Ω
Antenna 2: WiFi	Frequency Range	2100Mhz-7200MHz
	Polarization	Linear
	Gain	4dBi
	V.S.W.R	< 1.5
	Impedance	50Ω
Antenna 3: WiFi	Frequency Range	2100Mhz-7200MHz
	Polarization	Linear
	Gain	4dBi
	V.S.W.R	< 1.5
	Impedance	50Ω
Antenna 4: WiFi	Frequency Range	2100Mhz-7200MHz
	Polarization	Linear
	Gain	4dBi
	V.S.W.R	< 1.5
	Impedance	50Ω

Maswell 5G Combination Antenna 4X4 MIMO WiFi 7

AN_Master_Cubic_4W

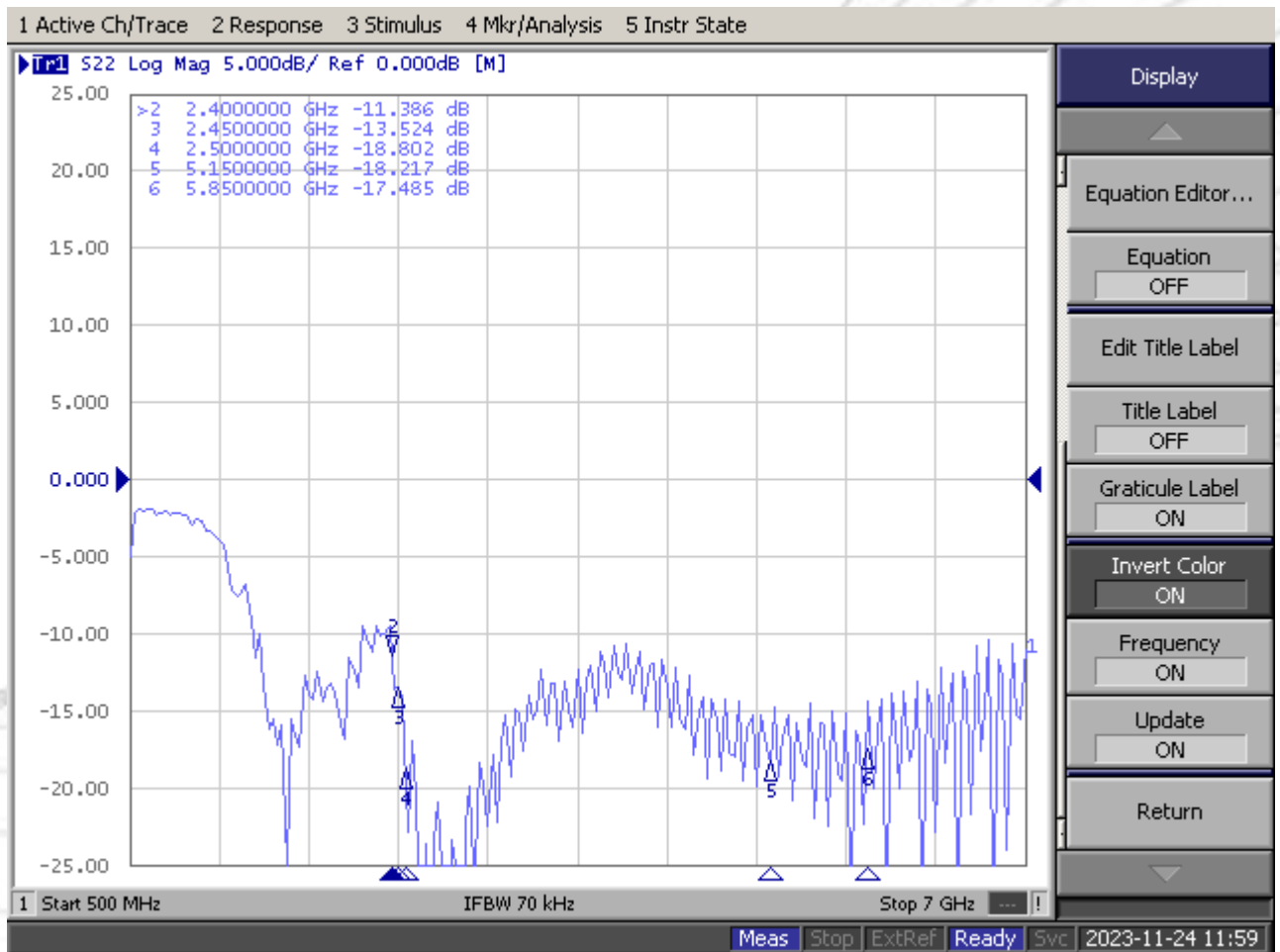
Specifications

Item		Specifications
Mechanical	Dimension	122mm *122mm*91mm
	Connector	RP SMA Plug
	Cable	LMR195 1meter or Customised
Environmental	Operating Temperature	-40°C ~ +85°C
	Waterproof Grade	IP67
	Relative Humidity	Up to 95%
	Vibration	10 to 55Hz with 1.5mm amplitude 2hours
	Environmentally Friendly	ROHS Compliant

Maswell 5G Combination Antenna 4X4 MIMO WiFi 7

AN_Master_Cubic_4W

S11 Reflection Coefficient



Maswell 5G Combination Antenna 4X4 MIMO WiFi 7

AN_Master_Cubic_4W

Isolation

